

CryoTel[®] Cube

Cryogenic Cooling System



Portable, high-performance
cryogenic cooling


SUNPOWER

AMETEK[®]

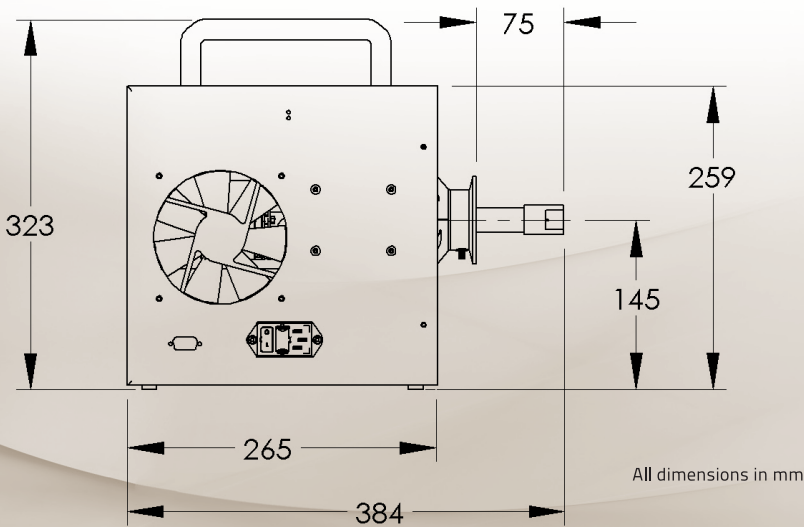
CryoTel® Cube

Cryogenic Cooling System

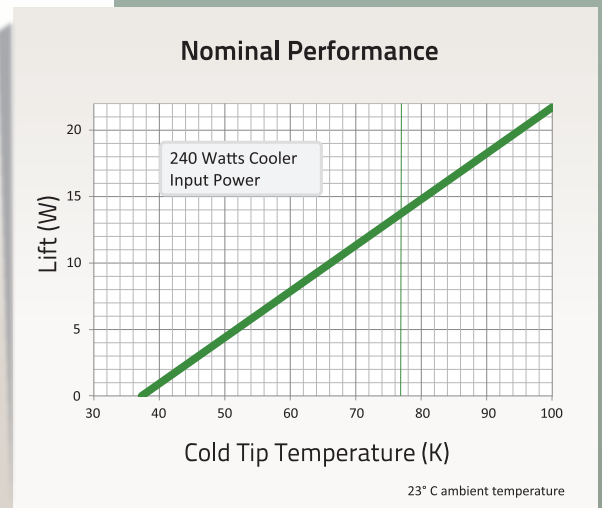


Sunpower introduces the CryoTel® Cube cryogenic cooling system incorporating the CryoTel® GT cryocooler. There is no need to hassle with liquid nitrogen when you can flip a switch and have instant cryogenic cooling from a maintenance-free solution. You can operate the CryoTel® Cube in multiple orientations. The cryocooler is mounted on vibration isolation mounts to reduce the exported vibration and the optional Active Cancellation System (ACS) further reduces exported vibration to levels consistent with liquid nitrogen. The CryoTel® Cube includes everything needed to quickly reach cryogenic temperatures, which makes it an excellent solution for meeting laboratory or OEM cryogenic requirements. Common applications are material research, high-temperature superconductivity, cryogenic preservation, laser cooling, infrared detectors, germanium detectors, medical instruments, and anywhere liquid nitrogen is used.

Nominal Lift @ 77 K	14 W
Nominal Cooler Input Power	240 W
Lab Cooler Mass	12.5 kg
Vacuum Flange	NW50/KF50
System Input Power	100-240 V
System Orientation	3 Orientations
System Cooling	Forced Air
Cooler MTTF	200,000 hr
Lowest Temperature	40 K
Temperature Stability	±0.1 K
Customer Control Interface	RS232
Control Modes	Temp. or Power



Data is subject to change without notice.



Please email sales@sunpowerinc.com for sales information.

2005 E. State Street
Athens, OH 45701 USA
www.sunpowerinc.com

The most efficient
cryocoolers on the market